

TB Turbine Flow Meter

Specifications



General Information

The TB are bronze-bodied turbine meters designed for use in pipe sizes 1" to 4". High-quality jewel bearings and ceramic shafts are used in the standard version. Low-flow performance is superior. The rotation of the rotor is detected by a non-drag Hall-effect sensor. Output is a pulse-type square wave, which can be sent long distances (up to 2,000 feet) without a transmitter. This signal can be connected directly to flow controls, as well as PLC's, counters, and computer cards. Battery operation using the FT415 battery-operated Flow Computer is also available as an option (requires micro-power sensor).

Muis Controls TB Turbine meters are ideal for chemical proportioning applications. If no display is required, a simple divider such as the PD10 provides adjustable pump pacing. For rate and total display, as well as pump pacing, the FT415/420 flow indicator can be mounted directly on the TX80 Series, or remotely on a wall or panel.

The TB consists of a brass machined insert and a cast bronze flow tube. The rotor, sensor, and all replaceable parts are removable by pulling a simple u-clip lock.

Specifications

Sensor

| | |
|--------------------|--|
| GMR | 12 VDC current sinking pulse square wave |
| Micro-power sensor | |

Materials

| | |
|-------------|------------------------------|
| Sensor Body | Brass |
| Rotor | Kynar |
| Shaft | Ceramic |
| Bearings | Ruby ring, sapphire endstone |

Pipe Size

| | |
|------------------|--------------------|
| 1"-4" (25-100mm) | FNPT |
| 1"-4" (25-100mm) | Female coppersweat |

Maximum Pressure

200 PSI (14 bar)

Maximum Temperature

200° F (93° C)

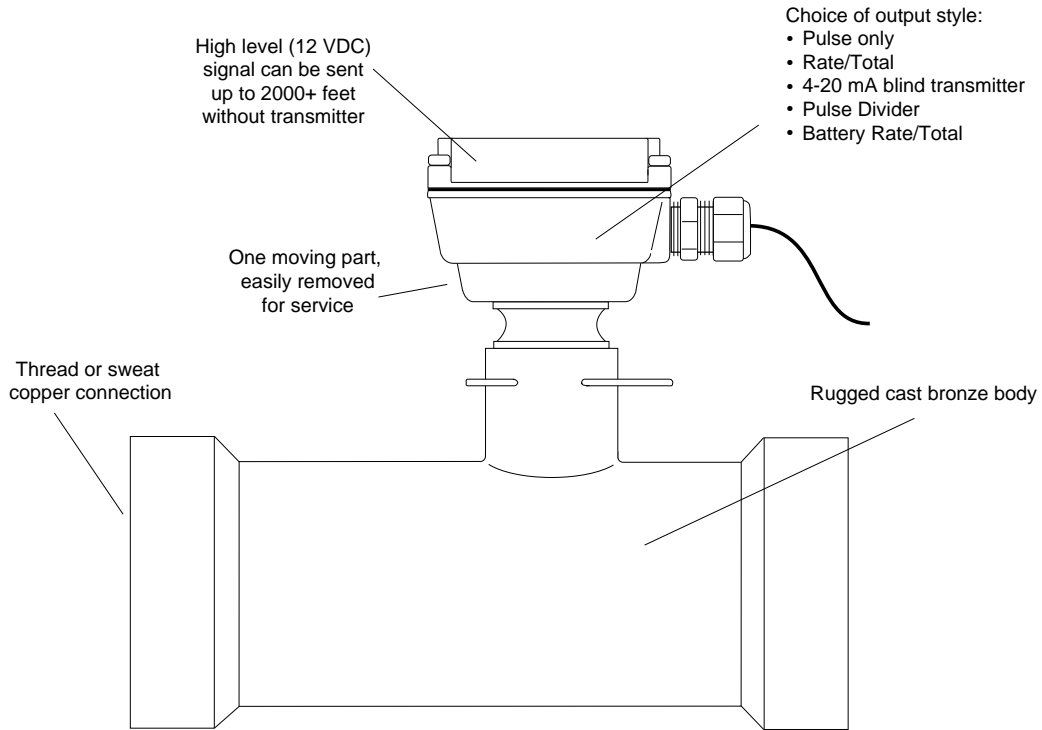
Flow Range (GPM)

| | 1" | 1-1/2" | 2" | 3" | 4" |
|------|-----|--------|-----|-----|------|
| Min. | 0.8 | 1.9 | 3.1 | 6.9 | 12 |
| Max. | 80 | 190 | 314 | 691 | 1200 |

Cable

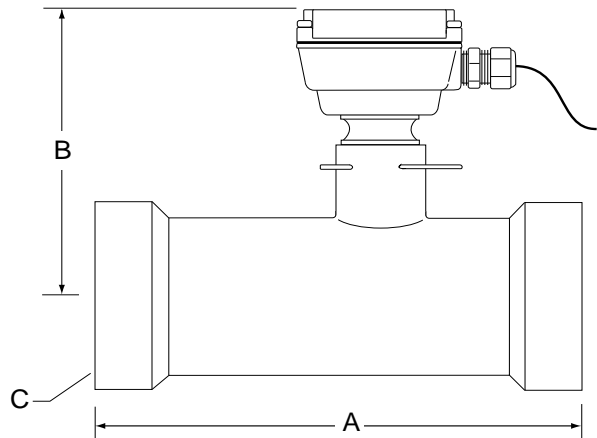
#22 AWG 3-con,
18' (6m)

Features



Dimensions

| Size | A | B | C ₁ (NPT) | C ₂ (sweat) |
|--------|-------|------|-------------------------|---------------------------|
| 1" | 6.00 | 6.25 | 1" | 1.125 |
| 1-1/2" | 3.80 | 6.50 | 1-1/2" | 1.625 |
| 2" | 4.00 | 6.75 | 2" | 2.125 |
| 3" | 8.00 | 6.80 | 3" | 3.125 |
| 4" | 10.00 | 7.02 | 4" | 4.125 |



How To Order

| | |
|-----------------------|--|
| TB100 - (Size) | Electronic turbine, pulse output only |
| TB101 - (Size) | Electronic turbine, rate, total, pulse output, 4-20 mA output |
| TB102 - (Size) | Electronic turbine with 4-20 mA only |
| TB104 - (Size) | Electronic turbine with battery powered ratemeter/totalizer and pulse output |

Size: 1" -100
 1-1/2" -150
 2" -200
 3" -300
 4" -400

TB10_ - _____

Muis Controls Ltd.

10610 - 172 Street, Edmonton, Alberta, Canada, T5S 1H8 ☐
 Phone: 780-486-2400 • Fax: 780-486-2500 • Toll Free: 1-800-661-8823 ☐
 www.muiscontrols.com • email: info@muiscontrols.com